



Safety is for life.™

## PRODUCT INFORMATION



### ADD-ON MODULE FOR EXPLOSION VENTS TO REDUCE THE SIZE OF ENDANGERED AREAS

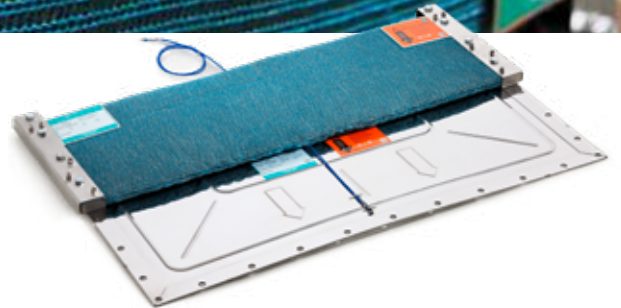
TARGO-VENT limits the opening angle of an explosion vent in order to protect people, vehicles or subsequently erected buildings. By decreasing the size of endangered zones, TARGO-VENT helps you to reduce your safety zones to a minimum and increase usable operating space while providing optimum protection against explosions.

#### Ideal for rectangular explosion vents:

- that vent into areas used by vehicles or pedestrians,
- that are used in outdoor applications,
- that vent into previously clear areas, which have subsequently been built upon.

#### Mechanism

TARGO-VENT limits the opening angle of the explosion vent and guides the explosion pressure wave, flames and heat into defined areas. This minimizes the size of the safety zones required.



#### Your advantages

- Smaller safety zones required in front of vent openings – **more productive use of valuable operating zones.**
- **Smaller area required** for explosion venting than with alternative deflectors.
- **Low cost protection** of infrastructure.
- **Safe traffic routes for people and vehicles** while simultaneously reducing the safety zones required.
- Retrofitting with TARGO-VENT provides **greater safety for existing installations.**
- **Maintenance-free and long service life** through the use of stainless steel.



ATEX  
EC type examination  
certificate no.  
FSA 13 ATEX 1637



Safety is for life.™

## PRODUCT INFORMATION

### Technical data\*

Valid for explosion vents with a venting area of  $\leq 0.54 \text{ m}^2$

Max. $K_{St}$ Value	$\leq 200 \text{ bar} \times \text{m/s}$				
Max. $P_{red}$	$\leq 14.5 \text{ psig @ } 71.6 \text{ }^\circ\text{F (1.0 bar @ } 22 \text{ }^\circ\text{C)}$				
$P_{red}$	2.9 psig (0.2 bar)	5.8 psig (0.4 bar)	8.7 psig (0.6 bar)	11.6 psig (0.8 bar)	14.5 psig (1.0 bar)
Deflection angle	45°	45°	40°	35°	25°
Venting efficiency	55%	60%	62%	65%	70%

Valid for explosion vents with a venting area of between  $0.54 \text{ m}^2$  and  $1.1 \text{ m}^2$

Max. $K_{St}$ -Value	$\leq 200 \text{ bar} \times \text{m/s}$		
Max. $P_{red}$	$\leq 5.8 \text{ psig @ } 71.6 \text{ }^\circ\text{F (0.4 bar @ } 22 \text{ }^\circ\text{C)}$		
$P_{red}$	2.9 psig (0.2 bar)	4.35 psig (0.3 bar)	5.8 psig (0.4 bar)
Deflection angle $\beta$	45°	45°	40°
Venting efficiency	55%	58%	60%

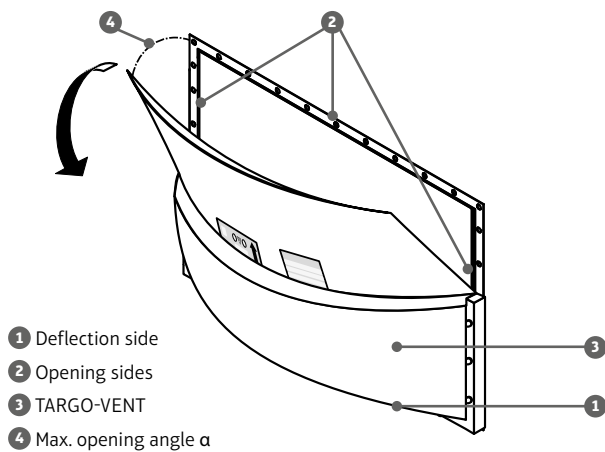
\*Our specialists will be pleased to assist you in finding a solution that matches your specific operating conditions.

**Note:** Linear relationship between the specified response pressure, deflection angle and efficiency.

### Dimensions and weight

Measurements		Approx. weight	
[in]	[mm]	[lbs]	[kg]
12.0 × 24.0	305 × 610	6.6	3
24.4 × 32.3	620 × 820	19.8	9
23.1 × 36.2	586 × 920	19.8	9
24.0 × 44.0	610 × 1118	22.0	10
36.2 × 36.2	920 × 920	30.09	14
36.0 × 44.0	915 × 1118	33.0	15

Other sizes available on request.



With TARGO-VENT: The flame is deflected into safe areas.



Without TARGO-VENT: The flame endangers operating areas.

Consulting. Engineering. Products. Service.

REMBE® Inc.

3809 Beam Road Suite K | Charlotte, NC 28217, USA | T +1 704 716 7022 | F +1 704 716 7025  
info@rembe.us | www.rembe.us