



## QUENCH VALVES FOR SPACE-SAVING BI-DIRECTIONAL ISOLATION

EXKOP® QV II and QV III are part of the EXKOP® system which is comprised of a controller and one or several quench valves. In the event of an explosion, the controller receives a trigger signal (for example from the signaling unit of the Q-Rohr® or an explosion vent, from a pressure switch or spark detector) and activates the connected quench valves. These close within a few milliseconds and thus prevent the explosion from spreading to adjacent plant equipment. After being triggered, the quench valves can be put back in operation once again at the touch of a button.

### Additional functions:

- Spark arrester (for example between a mill and the product filter)
- Overpressure limiter (e.g. between a silo and the truck loading spout)



### Your advantages

- **Compact design** for flexible integration into the production process.
- **High level of safety** due to very rapid closing times.
- **Easy reset** after activation.
- **Fail Safe mechanism** automatically closes the valve if the power supply fails or the valve is manipulated.

Technical data*	QV II		QV III
Diameter nominal**	DN 80 – DN 200	DN 250	DN 300 – DN 600
Housing material	Aluminum, painted (RAL 1015)	St 37.2, painted (RAL 1015)	
Flanges	acc. to EN 1092-1 Type 11 (PN 10)***		
	organic and chemical dusts		
Operating limits	$K_{St}$	$\leq 300 \text{ bar} \times \text{m/s}$	$\leq 200 \text{ bar} \times \text{m/s}$   $\leq 300 \text{ bar} \times \text{m/s}$
	$P_{max}$	$\leq 10 \text{ bar}$	
	MIE	$\geq 3 \text{ mJ}$	
	$P_{red}$	$\leq 2.0 \text{ bar}$   $\leq 1.0 \text{ bar}$	$\leq 2.0 \text{ bar}$
	Allowable flow rate	$\leq 30 \text{ m/s}$	
ATEX category (indoor/outdoor)	1D/3D		
Suitable for use in food processing industry	Yes		
Ambient temperature	$+41^\circ \text{ to } +140^\circ \text{ F}$ ( $+5^\circ \text{ to } 60^\circ \text{ C}$ )		
Installation position	Any		
Power supply	24 VDC from EXKOP® II controller		
Compressed air supply	6.0 bar gauge pressure from system network		
Compressed air connection	8 mm (Festo)		
Protection type	IP 65		

\*Our specialists would be pleased to assist you in finding a solution that matches your specific operating conditions.

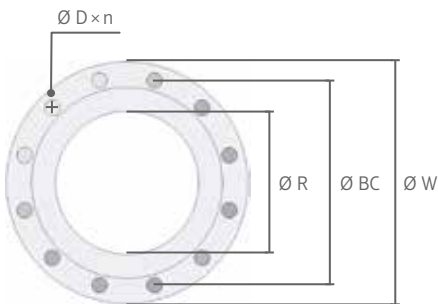
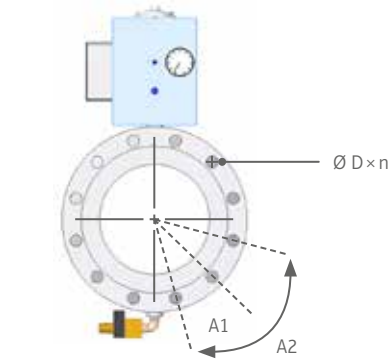
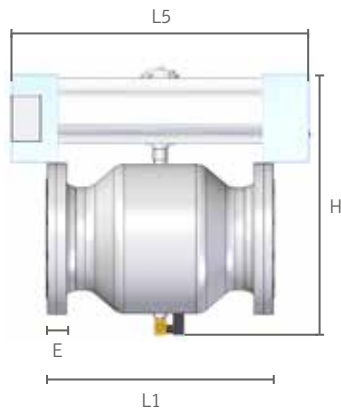
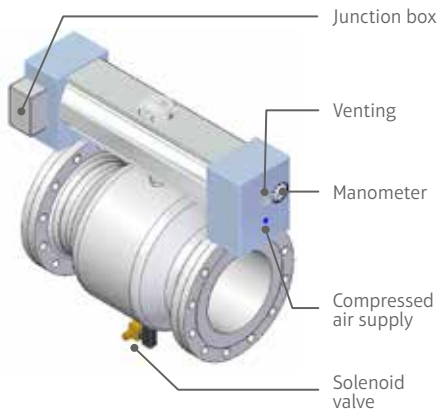
\*\*Other nominal diameters available on request.

\*\*\*Replaces DIN 2632, PN 10



Safety is for life.™

## PRODUCT INFORMATION



Flange diameters

### Dimensions QV II

	EXKOP® QV II - 3		EXKOP® QV II - 4		EXKOP® QV II - 5		EXKOP® QV II - 6		EXKOP® QV II - 8		EXKOP® QV II - 10	
	[in]	[mm]	[in]	[mm]	[in]	[mm]	[in]	[mm]	[in]	[mm]	[in]	[mm]
<b>Diameter nominal [DN]</b>	3	80	4	100	5	125	6	150	8	200	10	250
<b>Length L1</b>	8.98	228	11.10	282	13.78	350	16.54	420	21.85	555	24.02	610
<b>Length L5</b>	15.75	400	15.75	400	15.75	400	15.75	400	25.59	650	31.50	800
<b>Height H</b>	20.47	520	21.81	554	23.62	600	25.67	652	29.21	742	33.70	856
<b>E</b>	1.14	29	1.38	35	1.54	39	1.69	43	2.36	60	1.93	49
<b>Ø D x n</b>	0.71 x 8 18 x 8		0.71 x 8 18 x 8		0.71 x 8 18 x 8		0.87 x 8 22 x 8		0.87 x 8 22 x 8		0.87 x 12 22 x 12	
<b>A1</b>	22.5°		22.5°		22.5°		22.5°		22.5°		15°	
<b>A2</b>	45° x 8		45° x 8		45° x 8		45° x 8		45° x 8		30° x 12	
<b>Ø R</b>	3.15	80	3.94	100	4.72	120	5.71	145	7.48	190	9.45	240
<b>Ø BC</b>	6.30	160	7.87	180	8.27	210	9.45	240	11.61	295	13.78	350
<b>Ø W</b>	7.87	200	8.66	220	9.84	250	11.26	285	13.39	340	15.55	395
	[lbs]	[kg]	[lbs]	[kg]	[lbs]	[kg]	[lbs]	[kg]	[lbs]	[kg]	[lbs]	[kg]
<b>Weight</b>	28.66	13	39.68	18	57.32	26	77.16	35	123.46	56	286.60	130

Other dimensions available on request.

### Mounting distances for QV II with St1

Diameter nominal	DN 80–DN 200		DN 250	
	[ft]	[m]	[ft]	[m]
<b>Min. mounting distance</b>	19.7	6	23.0	7
<b>Max. mounting distance</b>	65.6	20	26.3	8

### Mounting distances for QV II with St2

Diameter nominal	DN 80–DN 200		DN 250
	[ft]	[m]	
<b>Min. mounting distance</b>	26.3	8	on request
<b>Max. mounting distance</b>	65.6	20	on request



ATEX  
EC type examination  
certificate no.  
FSA 04 ATEX 1537 X



Certified in  
accordance with

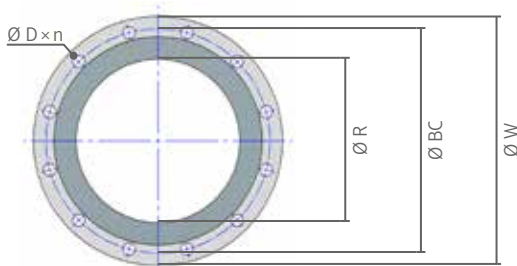
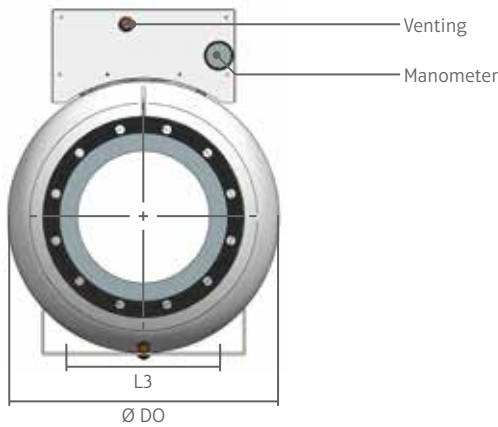
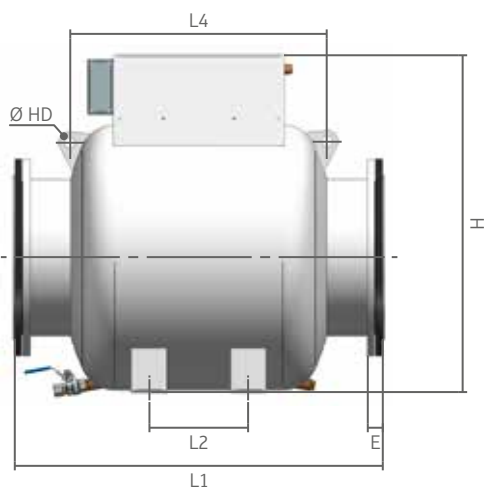
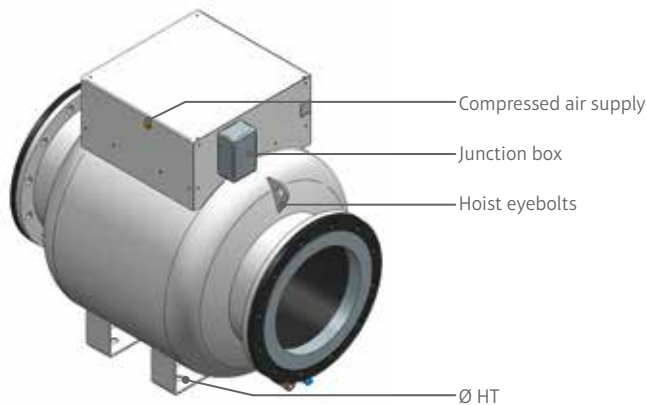
EN 15089

You can find detailed information and contact details for enquiries relating to Quench Valves at [www.rembe.us](http://www.rembe.us). Or just give us a call at: T +1 704 716 7022, [info@rembe.us](mailto:info@rembe.us).



Safety is for life.™

## PRODUCT INFORMATION



Flange diameters

### Dimensions QV III

	EXKOP® QV III - 12		EXKOP® QV III - 16		EXKOP® QV III - 20		EXKOP® QV III - 24	
	[in]	[mm]	[in]	[mm]	[in]	[mm]	[in]	[mm]
<b>Diameter nominal [DN]</b>	12	300	16	400	20	500	24	600
<b>Ø HT</b>	0.87	22	0.87	22	0.87	22	0.87	22
<b>Ø HD</b>	0.98	25	0.98	25	0.98	25	0.98	25
<b>Length L1</b>	32.48	825	44.29	1125	53.94	1370	68.11	1730
<b>Length L2</b>	8.82	224	19.69	500	26.73	679	38.23	971
<b>Length L3</b>	13.39	340	15.75	400	15.75	450	17.72	450
<b>Length L4</b>	22.83	580	25.20	640	40.75	1035	52.48	1333
<b>Height H</b>	30.71	780	36.61	930	42.52	1080	46.46	1180
<b>E</b>	1.77	45	1.77	45	1.77	45	1.77	45
<b>Ø DO</b>	23.62	600	29.53	750	35.43	900	39.37	1000
<b>Ø D x n</b>	0.87x12	22 x 12	1.02x16	26 x 16	1.02x20	26 x 20	1.18x20	30 x 20
<b>Ø R</b>	11.50	292	15.43	392	19.37	492	23.31	592
<b>Ø BC</b>	15.75	400	20.28	515	24.41	620	28.54	725
<b>Ø W</b>	17.52	445	22.24	565	26.38	670	30.71	780
	[lbs]	[kg]	[lbs]	[kg]	[lbs]	[kg]	[lbs]	[kg]
<b>Weight</b>	427.70	194	862	391	1333.8	605	1759.29	798

Other dimensions available on request.

### Mounting distances for QV III with St1

Diameter nominal	DN 300		DN 400 – DN 600	
	[ft]	[m]	[ft]	[m]
<b>Min. mounting distance</b>	23.0	7	26.3	8
<b>Max. mounting distance</b>	65.6	20	65.6	20

### Mounting distances for QV III with St2

Diameter nominal	DN 300		DN 400 – DN 600	
	[ft]	[m]	[ft]	[m]
<b>Min. mounting distance</b>	23.0	7	26.3	8
<b>Max. mounting distance</b>	65.6	20	39.3	12



NFPA Compliant



ATEX  
EC type examination  
certificate no.  
FSA 15 ATEX 1659 X

