



Safety is for life.™

PRODUCT INFORMATION



FOR THE PROTECTION OF PLANTS AND TANKS

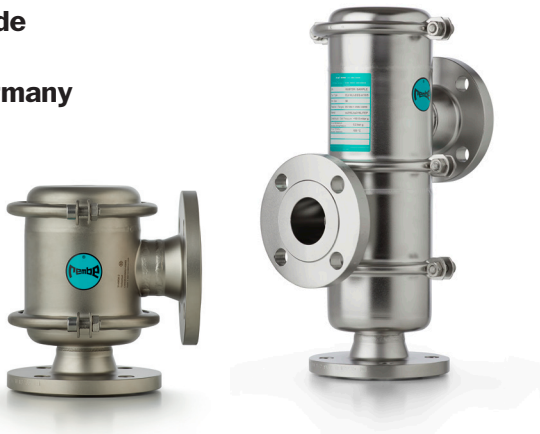
Vessels and tanks with minimal design pressures are effectively protected against the lowest overpressure and vacuum with ELEVENT® breather valves. They reliably prevent the escape of gases, environmentally harmful substances or explosive mixtures as well as the ingress of air. A constant controlled tank pressure level is assured.

The extraordinarily light and compact design is achieved with a deep-drawn stainless steel or metal housing.

The clamp connections result in a modular design with interchangeable components. Maintenance can be carried out quickly and easily.

The trend-setting valve concept with deep-drawn housing parts offers a flexible design of the connections, i.e. an exact adaptation of the valve to all system specifications. Connection variants with ANSI flanges, Tri-Clamp and pipe fittings according to DIN 11851 as well as CF and KF flanges are available on request.

**Made
in
Germany**



Your advantages

- Nominal diameters DN 25 to DN 200
- Lowest response pressures from 2 mbar to 200 mbar, depending on the nominal diameter
- Quick and easy inspection and maintenance through clamp connections
- Seals and weights can be replaced on site
- Modular design (interchangeable elements)
- Light and compact design
- Extreme stability with low weight
- Optimised sealing technology
- HALAR and PFA coating*
- Special materials like Hastelloy C-276/C-22*
- Special versions*
- Heatable version*
- Signalling*

*Optional

Mechanism

The weight-loaded valve disc seals the system until the operating pressure exceeds the response pressure. When responding, the disc is lifted and the pressure can escape. After the pressure drop, the valve disc lowers and the process is safely closed again.

The optimised guide using an “air cushion” principle allows a gentle valve lift during the pressure relief process. Wear and valve flutter are effectively prevented.

Applications

- Containers with nitrogen inerting
- Centrifuges for pharmaceutical and fine chemicals
- Tanks and installations in the low pressure range

You can find detailed information and contact details for enquiries relating to ELEVENT® at www.rembe.de. Give us a call on: T +49 2961 7405-0 or contact us via email: info@rembe.de.





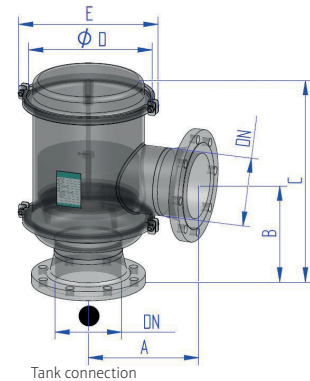
Safety is for life.™

PRODUCT INFORMATION

Technical data ELEVENT® for applications with overpressure

Type	NPS [in]	DN [mm]	Pressure [mbar]	A [mm]	B [mm]	C [mm]	D [mm]	E [mm]
ELV E-1/1	1"	25	2-100	100	100	237	105	150
ELV E-2/2	2"	50	2-50	125	130	221	155	200
			51-100			261		
			101-200			346		
ELV E-3/3	3"	80	2-120	155	155	321	208	263
			121-200			377		
ELV E-4/4	4"	100	2-120	175	175	341	208	263
			121-200			397		
ELV E-6/6	6"	150	2-200	255	255	502	325	385
ELV E-8/8	8"	200	2-200	265	325	540	325	385

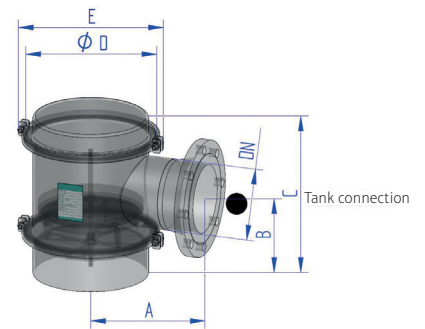
Dimensions refer to flanges according to DIN EN 1092-1, Type 11, Form B, PN16, other flange types on request.



Technical data ELEVENT® for applications with vacuum

Type	NPS [in]	DN [mm]	Vacuum [mbar]	A [mm]	B [mm]	C [mm]	D [mm]	E [mm]
ELV U-1	1"	25	2-100	100	65	200	105	150
ELV U-2	2"	50	2-50	125	100	190	155	200
			51-100			230		
			101-200			315		
ELV U-3	3"	80	2-70	155	150	315	208	263
			71-200			317		
ELV U-4	4"	100	2-70	175	150	315	208	263
			71-200			371		
ELV U-6	6"	150	71-200	255	225	467	325	385
ELV U-8	8"	200	71-200	265	250	537	325	385

Dimensions refer to flanges according to DIN EN 1092-1, Type 11, Form B, PN16, other flange types on request.



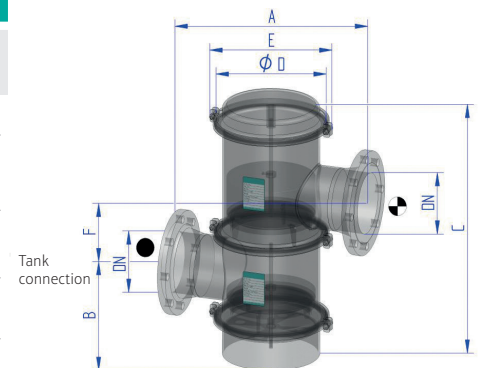
Technical data ELEVENT® for applications with overpressure and vacuum

Type	NPS [in]	DN [mm]	Pressure	Vacuum ¹ [mbar]	A [mm]	B [mm]	C [mm]	D [mm]	E [mm]	F [mm]
ELV KL-1/1	1"	25	2-100	2-100	200	65	364	115	140	95
ELV KL-2/2	2"	50 ²	2-50	2-30	250	100	308	155	200	115
			51-100				348			
			101-200				418			
ELV KL-3/3	3"	80	2-120	2-70	310	150	501	208	263	188
			121-200				557			
ELV KL-4/4	4"	100	2-120	2-70	350	150	501	208	263	188
			121-200				557			
ELV KL-6/6	6"	150	2-200	2-100	510	225	775	325	430	240
ELV KL-8/8	8"	200	2-200	2-100	530	250	845	325	430	310

Dimensions refer to flanges according to DIN EN 1092-1, Type 11, Form B, PN16, other flange types on request.

¹Higher set pressures for vacuum applications on request.

²DN 50: For the vacuum setting 31 - 50 mbar: F*= F+40, C*=C+40



Consulting. Engineering. Products. Service.

REMBE® GmbH Safety+Control

Gallbergweg 21 | 59929 Brilon, Germany | T +49 2961 7405-0 | F +49 2961 50714
info@rembe.de | www.rembe.de